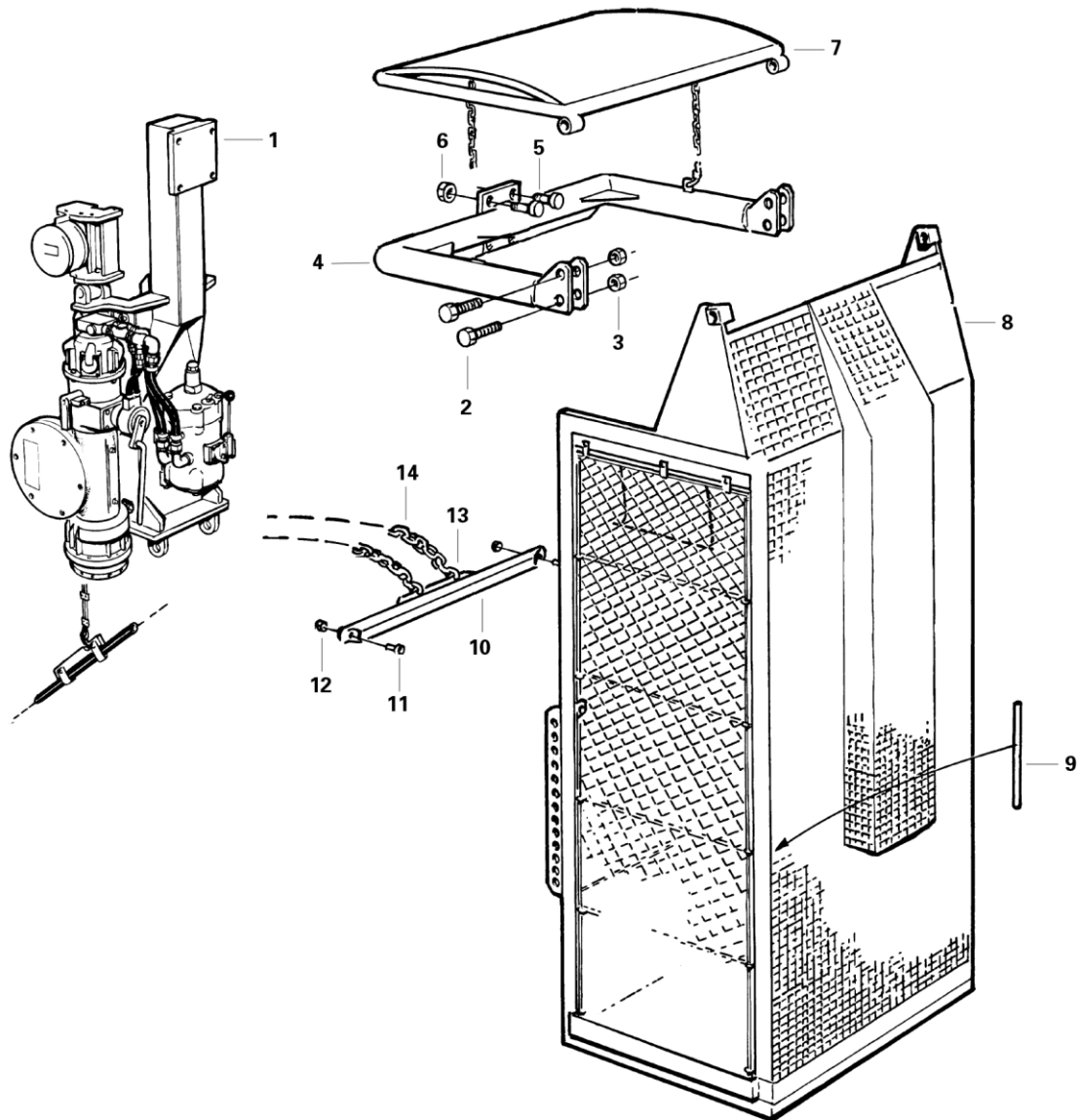


3. Compl. Beam (Alicab)



No.	Description	Designation	Ref. Part No.	QTY
–	Service Unit Complete With Cage		VK RRSUC-A	1
10-14	Compl. beam		0474885000	1
1	Machinery (Alicab)		0174882000	1
2	Screw	M6S 24x 100-8.8-fz	3000071728	4
3	Nut	L-K M6M24-8.-fz	3000438128	4
4	Pipe frame		0274883000	1
5	Screw		3000071630	4
6	Nut	M6S 16x50-8.8-fz	3000438124	4
7	Roof	L-K M6M 16-8.-fz	0274884000	1
8	Cage		0273695000	1
9	Hand lever		0417396000	1
10	Beam		0488864000	1
11	Screw	M6S 16x50-8.8-fz	3000071507	2
12	Nut	L-K M6M 16-8.-fz	3000438120	2
13	Link chain		3000860105	4
14	Chain		3000308208	2*